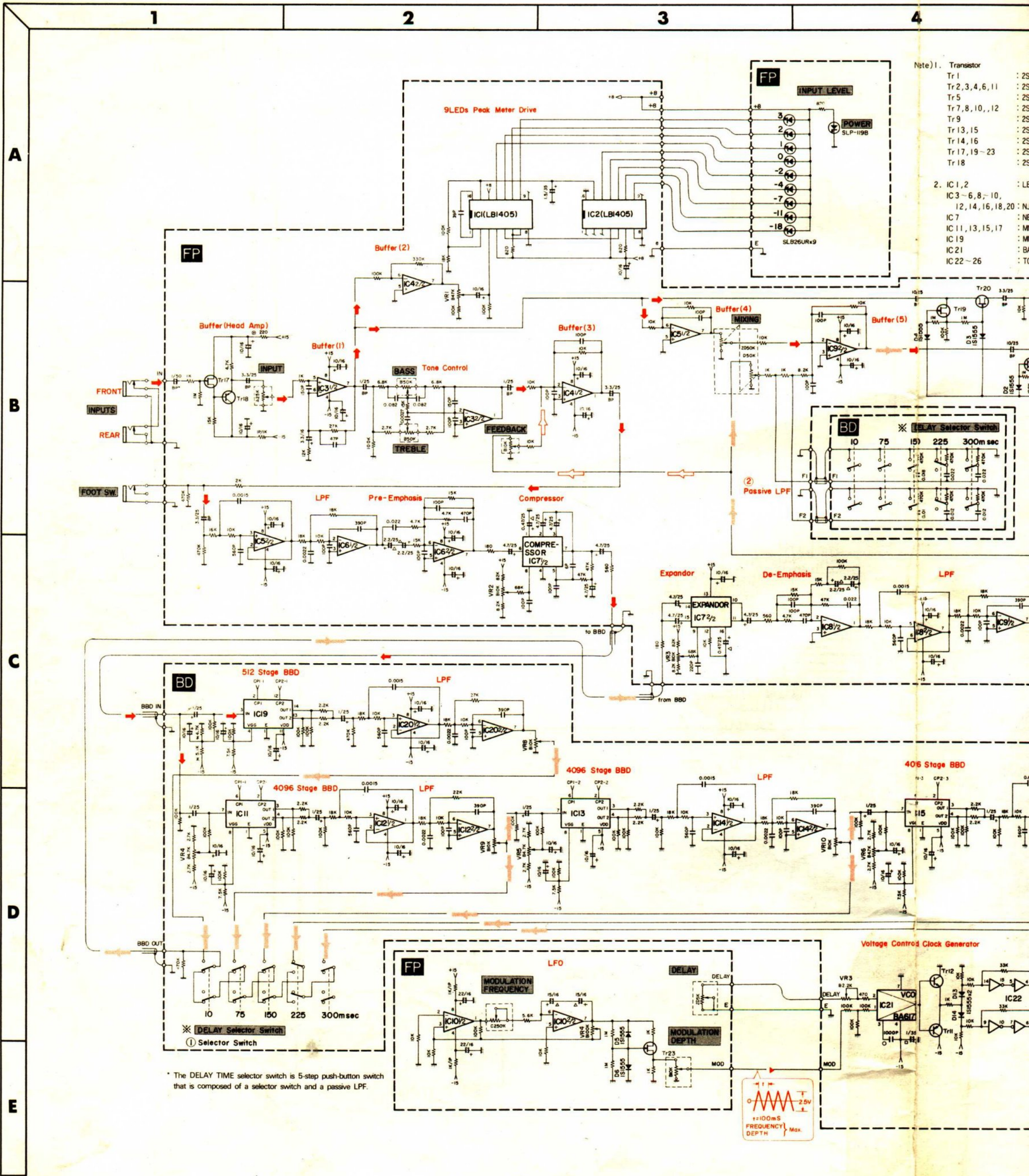
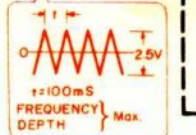


SCHEMATIC DIAGRAM



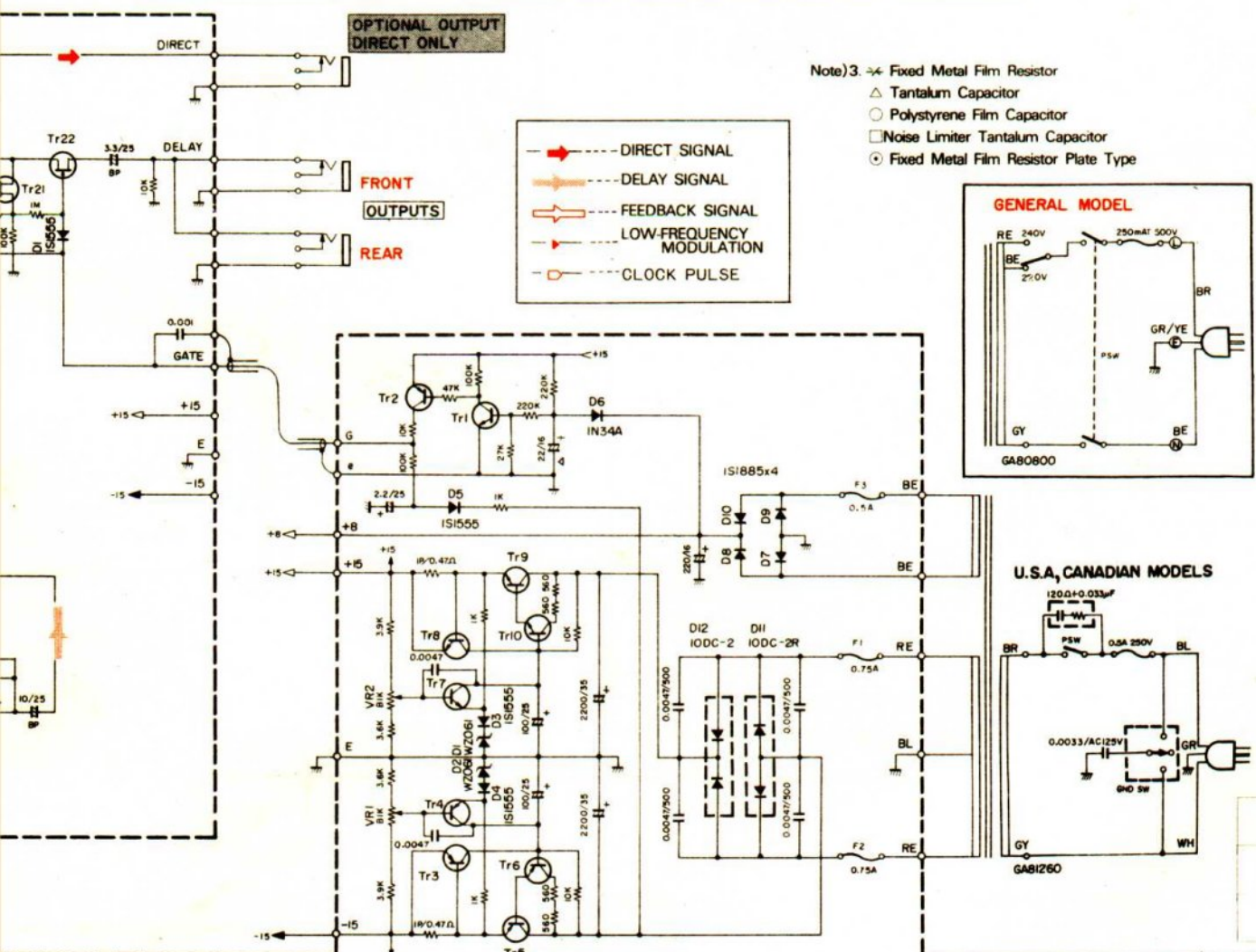
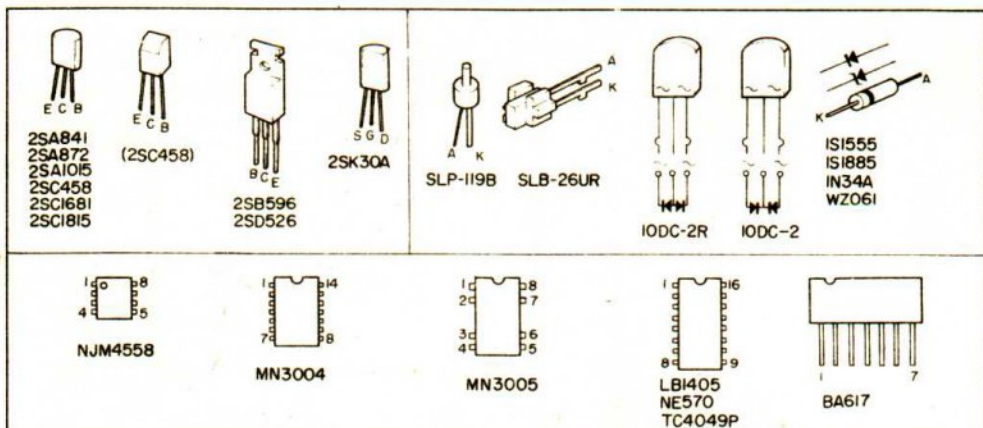
- Note) 1. Transistor
- Tr 1 : 2S
 - Tr 2, 3, 4, 6, 11 : 2S
 - Tr 5 : 2S
 - Tr 7, 8, 10, 12 : 2S
 - Tr 9 : 2S
 - Tr 13, 15 : 2S
 - Tr 14, 16 : 2S
 - Tr 17, 19-23 : 2S
 - Tr 18 : 2S
2. IC 1, 2 : LE
- IC 3-6, 8, 10 : N
 - IC 7, 14, 16, 18, 20 : N
 - IC 11, 13, 15, 17 : M
 - IC 19 : M
 - IC 21 : BA
 - IC 22-26 : TO

* The DELAY TIME selector switch is 5-step push-button switch that is composed of a selector switch and a passive LPF.



PIN-CONNECTION DIAGRAM OF TRANSISTORS, DIODES AND IC.

2SC458(C, D)
2SA1015(Y)
2SB596(O, Y)
2SC1815(Y)
2SD526(O, Y)
2SC1681(BL)
2SA841(BL)
2SK30A(GR)
2SA872
2B1405
2JM4558
2E570
2N3005
2N3004
2A617
2C4049P



- Note) 3. \square Fixed Metal Film Resistor
 \triangle Tantalum Capacitor
 \circ Polystyrene Film Capacitor
 \square Noise Limiter Tantalum Capacitor
 \circ Fixed Metal Film Resistor Plate Type

